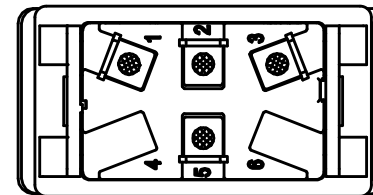
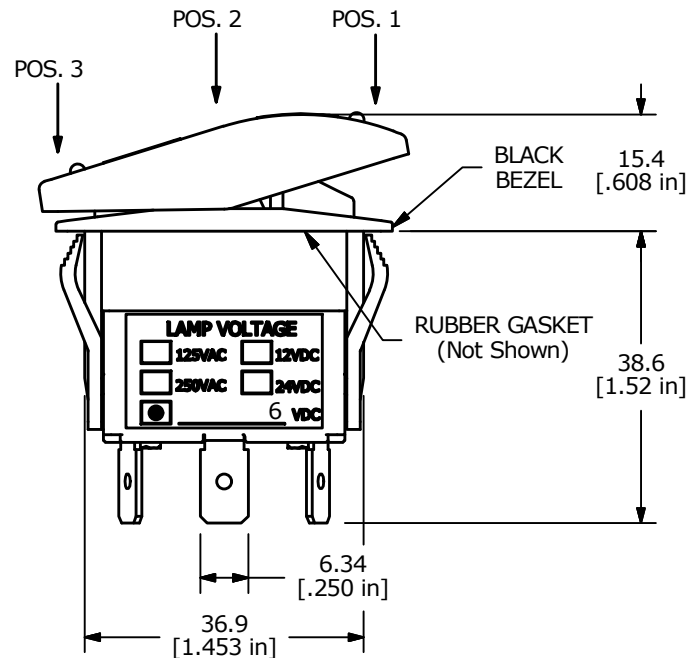
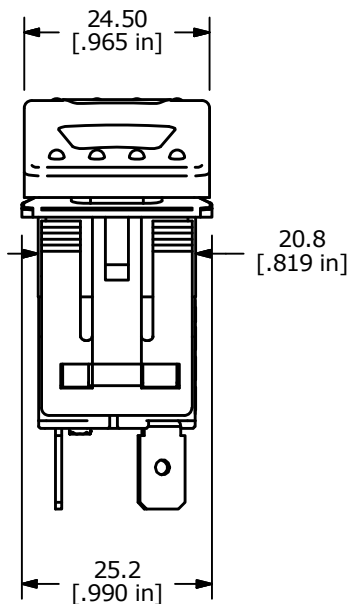
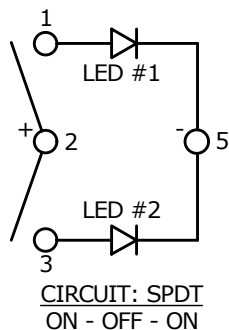


SWITCH FUNCTION		
POS. 1	POS. 2	POS. 3
ON	OFF	ON
1-2	NONE	2-3



- NOTES:
- ALL DIMENSIONS IN MM [INCH]
 - GENERAL TOLERANCE: X.X = ±0.4
X.XX = ±0.25
 - TERM. NOS. FOR REF. ONLY
 - RATING: 16A @ 30VDC, 50/60 Hz, μT85/55
UL LISTED
 - ELECTRICAL LIFE: 10,000 CYCLES
 - MECHANICAL LIFE: 30,000 CYCLES
 - CONTACT RESISTANCE: <20 MILLI-OHMS INITIAL
 - DIELECTRIC STRENGTH: >1,500V AC 1MIN
 - INSULATION RESISTANCE: >100 MOHMS @ 500VDC
 - OPERATING TEMP: 0°C to 55°C
 - LED VOLTAGE: 6VDC
 - ▲ DENOTES CRITICAL PARAMETER.
 - 2011/65/EC (ROHS) COMPLIANT



A	22526	New Release	9/28/16	MW
REV	PCR NO	DESCRIPTION	DATE	BY

TITLE R713FE3-SXXX1B4RAW				
SCALE 1:1	DATE 9/28/2016	DR MW	DWG C700034	REV A

THE INFORMATION CONTAINED IN THIS DOCUMENT IS PROPRIETARY TO E-SWITCH AND IS NOT TO BE COPIED OR TRANSFERRED